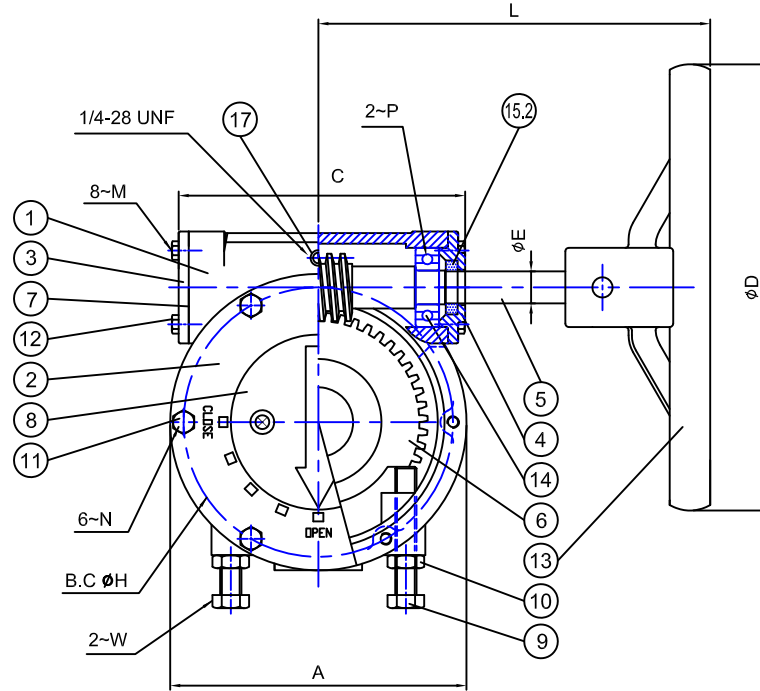
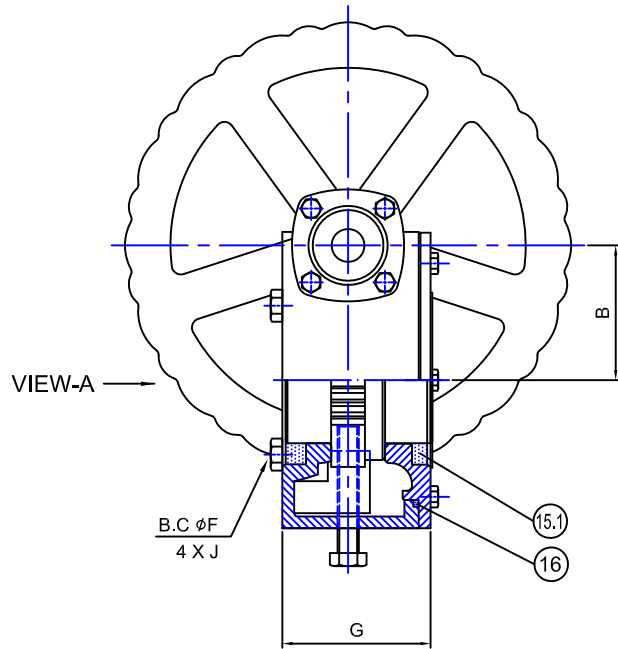


VIEW-A



MATERIAL LIST

NO.	PART NAME	MATERIAL	Q'TY
1.	HOUSING	FC20	1
2.	TOP COVER	FC20	1
3.	END COVER (left)	FC20	1
4.	END COVER (right)	FC20	1
5.	WROM SHAFT	S45C	1
6.	WROM GEAR	FCD45	1
7.	PACKING	PAPER	2
8.	INDICATOR	SS41	1
9.	SET BOLT	STEEL	2
10.	NUT	STEEL	2
11.	TOP COVER BOLT	STEEL	6
12.	END COVER BOLT	STEEL	8
13.	HANDWHEEL	FC20	1
14.	BALL BEARING	ALLOY STEEL	2
15.1	OIL SEAL	BUNA	2
15.2	OIL SEAL	BUNA	2
16.	O-RING	NBR	1
17.	GREASE NIPPLE	STEEL	1

NOMINAL SIZE	RATIO	TORQUE kgf-cm	A	B	C	ϕD	ϕE	ϕF	G	ϕH	L	J	M	N	W	P	S	T	ϕU
			6", 8"	50 : 1	14976	176	80	170.25	265	19	125	88	160	225	1/2-12 UNC	1/4-20 UNC	5/16-18 UNC	1/2-13 UNC	6204
10", 12"	80 : 1	27648	253	117.5	235.5	325	25.4	165	111	235	304	5/8-11 UNC	3/8-16 UNC	5/16-18 UNC	5/8-11 UNC	6206	37.6	12.7	63.5